

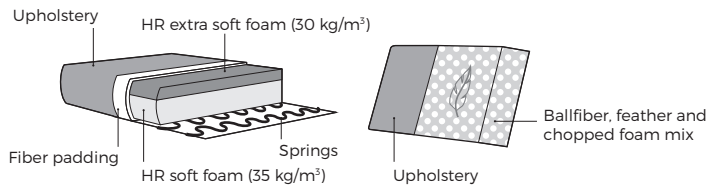
# Larvik



# Larvik



## Comfort



## 1. Upholstery



Fabric

## 2. Armrests



**Blow**  
W 32 x D 105 x H 56



**Street**  
W 25 x D 105 x H 56



**Bento**  
W 21 x D 105 x H 56

## 3. Legs



441  
Black  
colored  
lacquer



White  
oiled



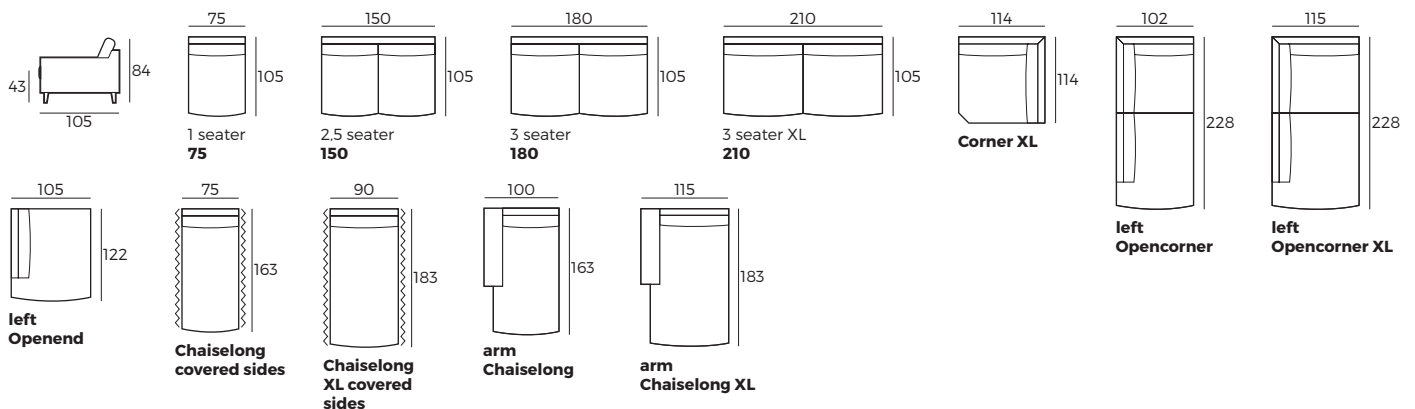
340  
Black  
colored  
lacquer

### IMPORTANT:

Upholstered furniture is handmade using soft materials therefore measurements may vary up to +/- 5 cm.  
Parts and sets shown in 2D drawings are left-sided. Parts and sets can be mirrored from left to right.  
For an additional fee, the sides of each individual part can be covered in fabric.

## Single parts (Measurements with Street armrest)

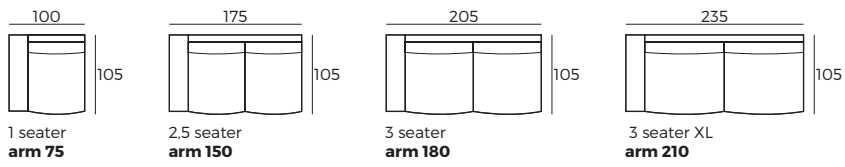
Scale 1:100



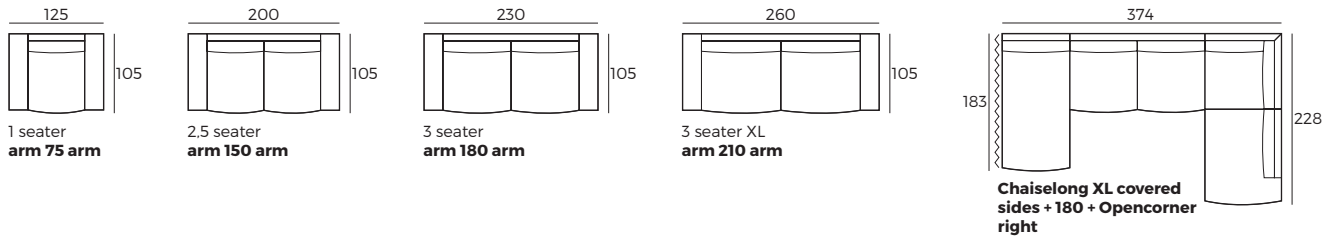
# Larvik

## Half sets (Measurements with Street armrest)

Scale 1:100



## Sets (Measurements with Street armrest)



## Accessories

